



Electrical coil program

12 Volt
program

24 Volt
program

Extra
program

Military
program

Air brake coil
program

**Maehler
& Kaege**
Fahrzeugtechnik

Member of the Maehler & Kaege Automotive Group

Important notice

Valued Customer,

first of all we would like to thank you for your interest in our products and company. We are proud to present to you our new coil cable catalogue.

Besides some new and exciting products we have included some changes to help you find the right products more easily. Due to our long experience in the development of electrical connections for the automotive industry we have adapted our products to fit the different market requirements. We distinguish the OE market – Original Equipment Manufacturers and the Aftersales market.

We have introduced two standards: The classic – version and the basic – version. In the table below you will find the major characteristics.

Are you or the demands of your customer in the OE market?

M&K recommends Classic – Line

 OEM market

- Usable for the highest demands of OE market
- Frequent used material Hytrel
- Best tested in bending characteristics
- Excellent heat- and cold resistance
- Excellent bending characteristics
- High resetting forces
- High oil and chemical resistance
- The optimal solution for the OE market

Are you or your customer mainly active in the Aftersales and require the fitting solution?

M&K recommends Basic – Line

 Aftersales market

- Good quality for the need of the Aftersales market
- Frequent used material PUR
- Good bending characteristics
- Good heat and cold resistance
- Bending characteristics
- Good resetting forces
- Oil and chemical resistance
- The best fitting quality for the Aftersales!

With these two version we are able to offer you and your customer the best fitting solution for both markets.

Any questions? Please don't, hesitate to contact us.

II. Edition

The business conditions recommended by the VDA and our supplementary conditions apply to all deliveries and performances in accordance with the current price list.

Changes of the construction or production are left up to us.

The details and illustrations are non-committal and all rights reserved.

Allowed stress, copy and translation (also in an abridged version) only with our previous consent.

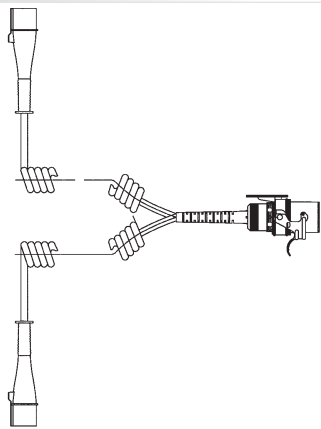
– Adapter	
15-pins to 2x7-pins 24-volt	page 4
15-pins to 2x7-pins 24-volt	page 5
7-pins to 12/24-volt	page 6
– 15-pins	
15-pins 24-volt – Classic Line	page 7
15-pins 24-volt – Basic Line	page 7
– 13-pins	
13-pins 24-volt – Basic Line	page 8
– 12-pins	
12-pins 24-volt – Classic Line	page 9
– EBS 7-pins	
EBS 7-pins 24-volt – Classic Line	page 10
EBS 7-pins 24-volt – Basic Line	page 10
– ABS 5-pins	
ABS 5-pins 24-volt – Classic Line	page 11
ABS 5-pins 24-volt – Basic Line	page 11
– 7-pins	
7-pins 24-volt with moulded plugs – Classic and Basic Line	page 12
7-pins 24-volt with plastic plugs – Classic and Basic Line	page 13
7-pins 24-volt with metal plugs – Classic and Basic Line	page 14
7-pins 24-volt with metal plugs – Basic Line	page 15
7-pins 12-volt with metal plugs – Basic Line	page 15
– 2-pins 24-volt	
2-pins 24-volt	page 16
– indication of parts and pages	page 17

Adapter – 15-pins to 2x7-pins 24-volt PUR



- 15-pins plug according to ISO 12098
- 7-pins plug according to ISO 1185 (blue) and ISO 3731 (yellow)
- 7-pins moulded TPE plastic plugs
- PUR coil cable in dependence on ISO 4141
- core ISO 6722
- core section: 6x1,5² + 1x2,5²
- cold, heat and weathering resistance
- oil and chemical resistance

with individual contact allocation, made to vehicle producers' specification corresponding to allocation plan



	max. working length approx. mm	coil Ø approx. mm	order number
ISO	3.000	40	6.85729.030
	3.500	40	6.85729.035
	4.000	40	6.85729.040
	4.500	40	6.85729.045
IVECO	3.500	40	6.85729.335
	4.500	40	6.85729.345
DC	3.500	40	6.85729.735
	4.500	40	6.85729.745

Adapter 15 – 2x7-pin according to ISO 12098																																			
7-pin N ISO 1185																																			
Earth	white	1	<table border="1"> <thead> <tr> <th colspan="2">15-pin ISO 12098</th> </tr> </thead> <tbody> <tr><td>1</td><td>Left-hand direction indicator light</td></tr> <tr><td>2</td><td>Right-hand direction indicator light</td></tr> <tr><td>3</td><td>Rear fog light</td></tr> <tr><td>4</td><td>Earth</td></tr> <tr><td>5</td><td>Left-hand rear position</td></tr> <tr><td>6</td><td>Right-hand rear position</td></tr> <tr><td>7</td><td>Stop lights</td></tr> <tr><td>8</td><td>Reversing light</td></tr> <tr><td>9</td><td>Power supply</td></tr> <tr><td>10</td><td>Worn brake lining sensor</td></tr> <tr><td>11</td><td>Pressure sensor for spring brake</td></tr> <tr><td>12</td><td>Axle lifting device</td></tr> <tr><td>13</td><td>Earth (for contacts no. 14 and 15)</td></tr> <tr><td>14</td><td>Data communication</td></tr> <tr><td>15</td><td>Data communication</td></tr> </tbody> </table>	15-pin ISO 12098		1	Left-hand direction indicator light	2	Right-hand direction indicator light	3	Rear fog light	4	Earth	5	Left-hand rear position	6	Right-hand rear position	7	Stop lights	8	Reversing light	9	Power supply	10	Worn brake lining sensor	11	Pressure sensor for spring brake	12	Axle lifting device	13	Earth (for contacts no. 14 and 15)	14	Data communication	15	Data communication
15-pin ISO 12098																																			
1	Left-hand direction indicator light																																		
2	Right-hand direction indicator light																																		
3	Rear fog light																																		
4	Earth																																		
5	Left-hand rear position																																		
6	Right-hand rear position																																		
7	Stop lights																																		
8	Reversing light																																		
9	Power supply																																		
10	Worn brake lining sensor																																		
11	Pressure sensor for spring brake																																		
12	Axle lifting device																																		
13	Earth (for contacts no. 14 and 15)																																		
14	Data communication																																		
15	Data communication																																		
Left-hand rear position	black	2																																	
Left-hand dir. indicator light	yellow	3																																	
Stop lights	red	4																																	
Right-hand	green	5																																	
right-hand rear position	brown	6																																	
Braking control for trailers	blue	7																																	
7-pin S ISO 3731																																			
Earth	white	1																																	
-	black	2																																	
Reversing light	yellow	3																																	
Power supply	red	4																																	
Control via earth	green	5																																	
Power supply connected	brown	6																																	
Rear fog light	blue	7																																	

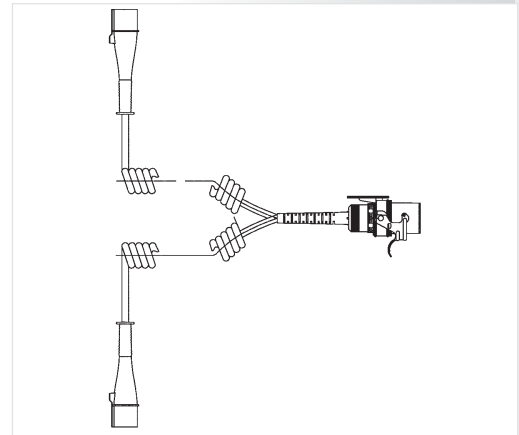
Adapter 15 – 2x7-pin IVECO																																			
7-pin N ISO 1185																																			
Earth	white	1	<table border="1"> <thead> <tr> <th colspan="2">15-pin ISO 12098</th> </tr> </thead> <tbody> <tr><td>1</td><td>Left-hand direction indicator light</td></tr> <tr><td>2</td><td>Right-hand direction indicator light</td></tr> <tr><td>3</td><td>Rear fog light</td></tr> <tr><td>4</td><td>Earth</td></tr> <tr><td>5</td><td>Left-hand rear position</td></tr> <tr><td>6</td><td>Right-hand rear position</td></tr> <tr><td>7</td><td>Stop lights</td></tr> <tr><td>8</td><td>Reversing light</td></tr> <tr><td>9</td><td>Power supply</td></tr> <tr><td>10</td><td>Worn brake lining sensor</td></tr> <tr><td>11</td><td>Pressure sensor for spring brake</td></tr> <tr><td>12</td><td>Axle lifting device</td></tr> <tr><td>13</td><td>Earth (for contacts no. 14 and 15)</td></tr> <tr><td>14</td><td>Data communication</td></tr> <tr><td>15</td><td>Data communication</td></tr> </tbody> </table>	15-pin ISO 12098		1	Left-hand direction indicator light	2	Right-hand direction indicator light	3	Rear fog light	4	Earth	5	Left-hand rear position	6	Right-hand rear position	7	Stop lights	8	Reversing light	9	Power supply	10	Worn brake lining sensor	11	Pressure sensor for spring brake	12	Axle lifting device	13	Earth (for contacts no. 14 and 15)	14	Data communication	15	Data communication
15-pin ISO 12098																																			
1	Left-hand direction indicator light																																		
2	Right-hand direction indicator light																																		
3	Rear fog light																																		
4	Earth																																		
5	Left-hand rear position																																		
6	Right-hand rear position																																		
7	Stop lights																																		
8	Reversing light																																		
9	Power supply																																		
10	Worn brake lining sensor																																		
11	Pressure sensor for spring brake																																		
12	Axle lifting device																																		
13	Earth (for contacts no. 14 and 15)																																		
14	Data communication																																		
15	Data communication																																		
Left-hand rear position	black	2																																	
Left-hand dir. indicator light	yellow	3																																	
Stop lights	red	4																																	
Right-hand	green	5																																	
right-hand rear position	brown	6																																	
Braking control for trailers	blue	7																																	
7-pin S ISO 3731																																			
Earth	white	1																																	
-	black	2																																	
Reversing light	yellow	3																																	
Power supply (perman. plus)	red	4																																	
Control via earth	green	5																																	
Power supply connected	brown	6																																	
Rear fog light	blue	7																																	

Adapter 15 – 2x7-pin DaimlerChrysler																																			
7-pin N ISO 1185																																			
Earth	white	1	<table border="1"> <thead> <tr> <th colspan="2">15-pin ISO 12098</th> </tr> </thead> <tbody> <tr><td>1</td><td>Left-hand direction indicator light</td></tr> <tr><td>2</td><td>Right-hand direction indicator light</td></tr> <tr><td>3</td><td>Rear fog light</td></tr> <tr><td>4</td><td>Earth</td></tr> <tr><td>5</td><td>Left-hand rear position</td></tr> <tr><td>6</td><td>Right-hand rear position</td></tr> <tr><td>7</td><td>Stop lights</td></tr> <tr><td>8</td><td>Reversing light</td></tr> <tr><td>9</td><td>Power supply</td></tr> <tr><td>10</td><td>Worn brake lining sensor</td></tr> <tr><td>11</td><td>Pressure sensor for spring brake</td></tr> <tr><td>12</td><td>Axle lifting device</td></tr> <tr><td>13</td><td>Earth (for contacts no. 14 and 15)</td></tr> <tr><td>14</td><td>Data communication</td></tr> <tr><td>15</td><td>Data communication</td></tr> </tbody> </table>	15-pin ISO 12098		1	Left-hand direction indicator light	2	Right-hand direction indicator light	3	Rear fog light	4	Earth	5	Left-hand rear position	6	Right-hand rear position	7	Stop lights	8	Reversing light	9	Power supply	10	Worn brake lining sensor	11	Pressure sensor for spring brake	12	Axle lifting device	13	Earth (for contacts no. 14 and 15)	14	Data communication	15	Data communication
15-pin ISO 12098																																			
1	Left-hand direction indicator light																																		
2	Right-hand direction indicator light																																		
3	Rear fog light																																		
4	Earth																																		
5	Left-hand rear position																																		
6	Right-hand rear position																																		
7	Stop lights																																		
8	Reversing light																																		
9	Power supply																																		
10	Worn brake lining sensor																																		
11	Pressure sensor for spring brake																																		
12	Axle lifting device																																		
13	Earth (for contacts no. 14 and 15)																																		
14	Data communication																																		
15	Data communication																																		
Left-hand rear position	black	2																																	
Left-hand dir. indicator light	yellow	3																																	
Stop lights	red	4																																	
Right-hand	green	5																																	
right-hand rear position	brown	6																																	
Braking control for trailers	blue	7																																	
7-pin S ISO 3731																																			
Earth	white	1																																	
-	black	2																																	
Reversing light	yellow	3																																	
Power supply (perman. plus)	red	4																																	
Control via earth	green	5																																	
Power supply connected	brown	6																																	
Rear fog light	blue	7																																	

- 15-pins plug according to ISO 12098
- 7-pins plug according to ISO 1185 (blue) and ISO 3731 (yellow)
- 7-pins moulded TPE plastic plugs
- PUR coil cable in dependence on ISO 4141
- core ISO 6722
- core section: $6 \times 1^2 + 1 \times 1,5^2$
- cold, heat and weathering resistance
- oil and chemical resistance



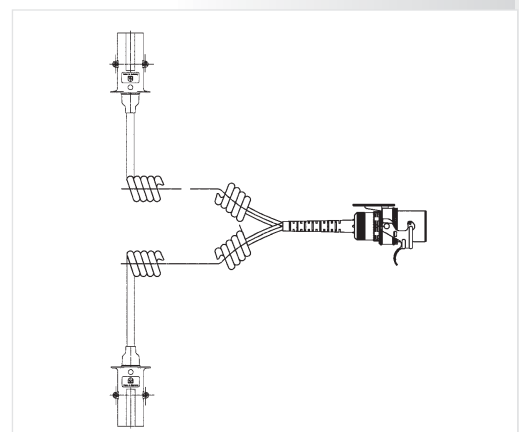
max. working length approx. mm	coil Ø approx. mm	order number
3.000	48	6.85729.230
3.500	48	6.85729.235
4.000	48	6.85729.240
4.500	48	6.85729.245
5.500	48	6.85729.255



- 15-pins plug according to ISO 12098
- 7-pins metal plugs according to ISO 1185 and ISO 3731
- PUR coil cable in dependence on ISO 4141
- core ISO 6722
- core section: $6 \times 1,5^2 + 1 \times 2,5^2$
- cold, heat and weathering resistance
- oil and chemical resistance



max. working length approx. mm	coil Ø approx. mm	order number
3.500	40	6.85788.035
4.500	40	6.85788.045



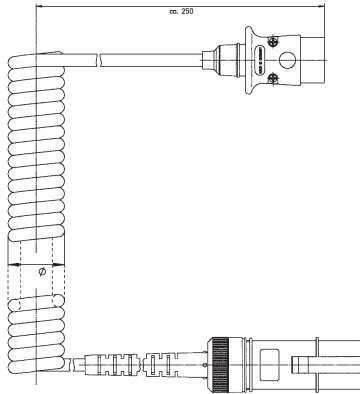
Adapter – 7-pins 12/24-volt Hytel

OEM market



- plastic plugs according to ISO 1724 and ISO 1185
- Hytel electrical coil according to ISO 4141
- core ISO 6722
- core section: $6 \times 1,5^2 + 1 \times 2,5^2$
- excellent bending characteristics and resetting forces
- high oil and chemical resistance

max. working length approx. mm	coil Ø approx. mm	order number
3.000	75	6.79800.230
3.500	75	6.79800.235
4.000	75	6.79800.240
4.500	75	6.79800.245



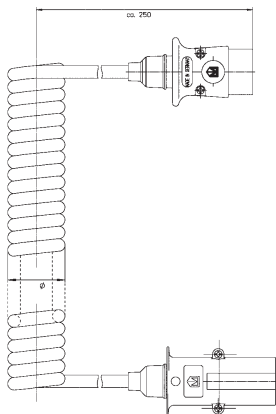
7-pins 12/24-volt-adaptercoil Hytel

OEM market



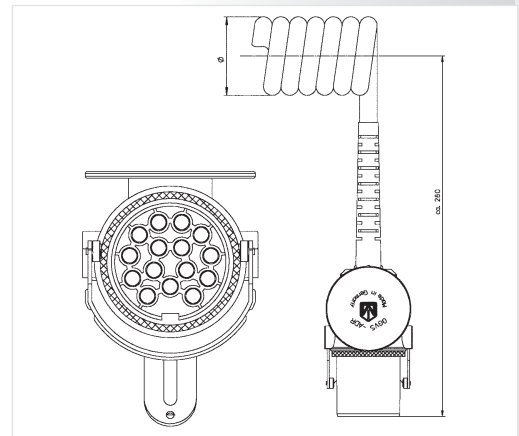
- metal plugs according to ISO 1724 and ISO 1185
 - plug with dust cover cap
 - Hytel electrical coil according to ISO 4141
 - core ISO 6722
 - core section: $6 \times 1,5^2 + 1 \times 2,5^2$
 - excellent cold, heat and weathering resistance
 - excellent bending characteristics and resetting forces
 - high oil and chemical resistance
- approved for application in military vehicles,
VG 96927 T017 C004

max. working length approx. mm	coil Ø approx. mm	order number
3.000	75	6.77800.230
3.500	75	6.77800.235
4.000	75	6.77800.240
4.500	75	6.77800.245



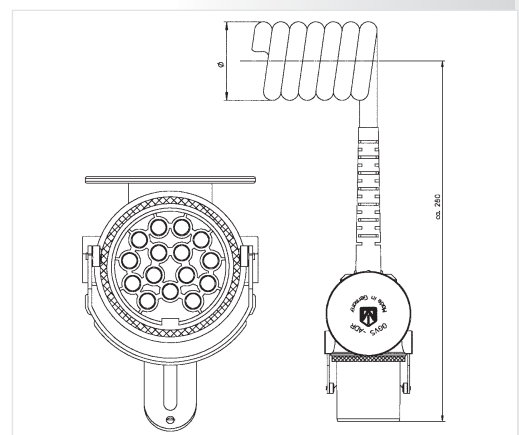
■ The 15-pin connector is the modern system for transmission of light and auxiliary functions with 24 volt on-board power

- plug according to ISO 12098
- plug tested according to GGVSE-ADR
- Hytrel electrical coil according to ISO 4141
- core ISO 6722
- core section: $12 \times 1,5^2 + 3 \times 2,5^2$
- excellent cold and heat resistance
- excellent resetting forces
- high oil and chemical resistance

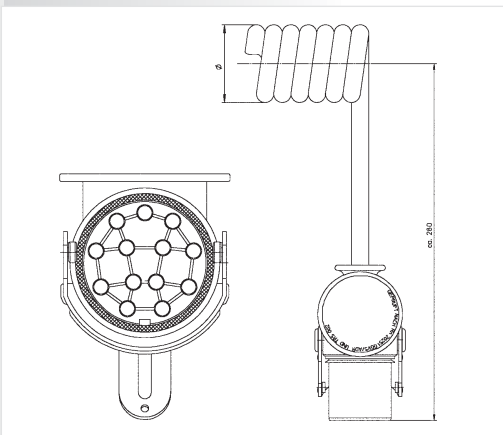


max. working length approx. mm	coil Ø approx. mm	order number
3.000	90	6.85301.230
3.500	90	6.85301.235
4.000	90	6.85301.240
4.500	90	6.85301.245
5.500	90	6.85301.255

- plug according to ISO 12098
- plug tested according to GGVSE-ADR
- PUR electrical coil in dependence on ISO 4141
- core ISO 6722
- core section: $12 \times 1,5^2 + 3 \times 2,5^2$
- cold, heat and weathering resistance
- good bending characteristics
- oil and chemical resistance



max. working length approx. mm	coil Ø approx. mm	order number
3.000	65	6.85301.030
3.500	65	6.85301.035
4.000	65	6.85301.040
4.500	65	6.85301.045
5.500	65	6.85301.055



■ 13-pins connectors are the forerunners of 15-pins connectors according to ISO 12098
 Differentiation characteristics are: reduced number of contacts as well as another position of pins

- 13-pins plug
- plug tested according to GGVSE/ADR
- PUR electrical coil in dependence on ISO 4141
- core ISO 6722
- core section: $12 \times 1,5^2 + 3 \times 2,5^2$
- cold, heat and weathering resistance
- oil and chemical resistance

max. working length approx. mm	coil Ø approx. mm	order number
3.500	65	6.85401.035
4.500	65	6.85401.045

contact no.	function	cable section
1	Earth	2.5 mm ²
2	Left-hand rear position and marker lights, and rear registration-plate illuminating device ¹⁾	1.5 mm ²
3	Left-hand direction indicator light	1.5 mm ²
4	Stop lights	1.5 mm ²
5	Right-hand direction indicator light	1.5 mm ²
6	Right-hand rear position and marker lights, and rear registration-plate illuminating device ¹⁾	1.5 mm ²
7	Trailer brake control ²⁾	1.5 mm ²
8	Reversing light	1.5 mm ²
9	Rear fog light	1.5 mm ²
10	Tire control	1.5 mm ²
11	Fuel capacity control ³⁾	1.5 mm ²
12	Instrument box lighting ³⁾	1.5 mm ²
13	Axle lifting device	1.5 mm ²

¹⁾ The rear registration-plate illuminating device has to be connected in such a manner that no lamp of the device has a common connection with either contact 2 or 6.

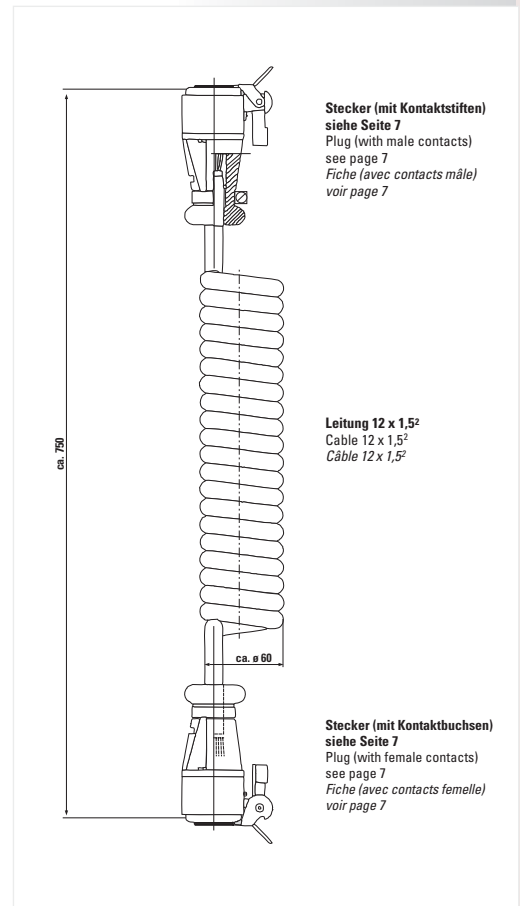
²⁾ Today this contact is often used for other functions.

³⁾ Contact no. 11 and 12 are only allocated on ADR/GGVVS systems

12-pins 24-volt Hytrel

- rubber plug VG 96923 with male and female contacts
- PUR spiral coil
- coloured TPE cores
- core section: 12x1,5²
- cold, heat and weathering resistance
- high resetting forces
- oil and chemical resistance

max. working length approx. mm	coil Ø approx. mm	plug equiped with	order number
4.000	60	1x male contact 1x female contact	6.00946.002
4.000	60	2x male contact	6.00946.001



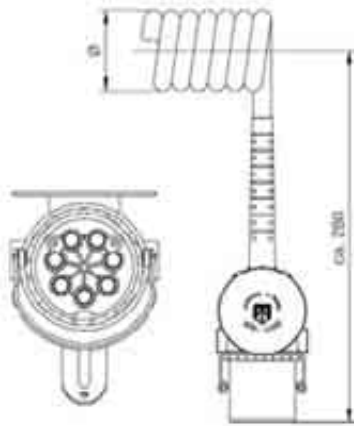
EBS 24-volt Hytrel – Classic-Line

OEM market



■ EBS – Electronic Braking System integrates into a single system the basic brake control, ABS and ASR functions of a vehicle

- plug according to ISO 7638
- plug tested according to GGVSE-ADR
- Hytrel electrical coil according to ISO 4141
- core ISO 6722
- core section: $5 \times 1,5^2 + 2 \times 4^2$
- excellent cold and heat resistance
- excellent resetting forces
- high oil and chemical resistance



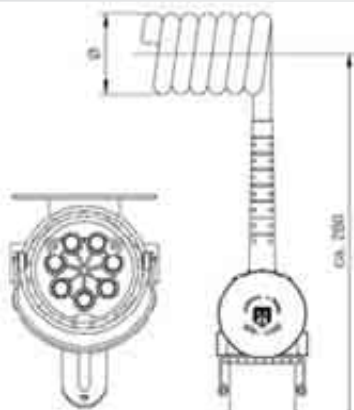
max. working length approx. mm	coil Ø approx. mm	order number
3.000	60	6.84801.030
3.500	60	6.84801.035
4.000	60	6.84801.040
4.500	60	6.84801.045
5.500	60	6.84801.055

EBS 24-volt PUR – Basic-Line

Aftersales market



- plug according to ISO 7638
- plug tested according to GGVSE-ADR
- PUR coil cable in dependence on ISO 4141
- core ISO 6722
- core section: $5 \times 1,5^2 + 2 \times 4^2$
- cold, heat and weathering resistance
- good bending characteristics
- oil and chemical resistance

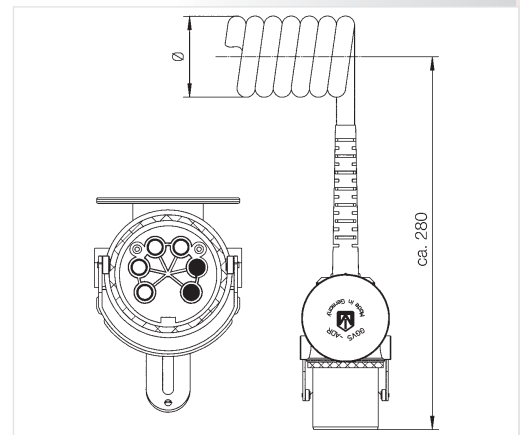


max. working length approx. mm	coil Ø approx. mm	order number
3.000	60	6.84801.230
3.500	60	6.84801.235
4.000	60	6.84801.240
4.500	60	6.84801.245
5.500	60	6.84801.255

■ ABS – Anti-Block System, prevents the wheels from locking during braking

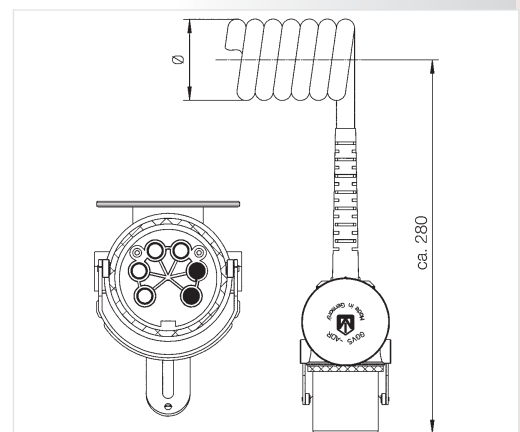
- plug according to ISO 7638
- plug tested according to GGVSE-ADR
- Hytrel electrical coil according to ISO 4141
- core ISO 6722
- core section: $3 \times 1,5^2 + 2 \times 4^2$
- excellent cold and heat resistance
- excellent resetting forces
- high oil and chemical resistance

max. working length approx. mm	coil Ø approx. mm	order number
3.000	60	6.83301.030
3.500	60	6.83301.035
4.000	60	6.83301.040
4.500	60	6.83301.045
5.500	60	6.83301.055

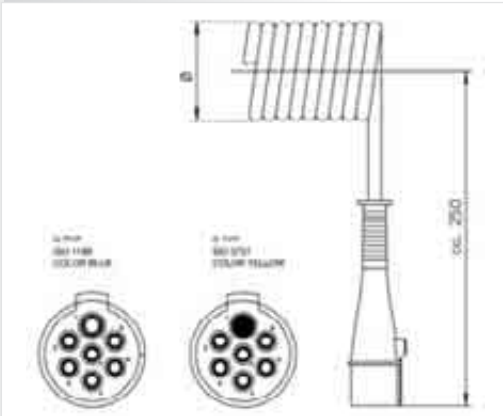


- plug according to ISO 7638
- plug tested according to GGVSE-ADR
- PUR electrical coil in dependence on ISO 4141
- core ISO 6722
- core section: $3 \times 1,5^2 + 2 \times 4^2$
- cold, heat and weathering resistance
- good bending characteristics
- oil and chemical resistance

max. working length approx. mm	coil Ø approx. mm	order number
3.000	60	6.83301.230
3.500	60	6.83301.235
4.000	60	6.83301.240
4.500	60	6.83301.245
5.500	60	6.83301.255



7-pins 24-volt with moulded plugs



Electrical coils with moulded plugs offers the followings advantages:

- moulded TPE – thermoplastic plugs according to ISO 1185 (blue) and ISO 3731 (yellow)
- plugs absolutely waterproof, protection class IPX9K
- attractive design and ergonomic designed grip with good handling
- intergrated anti-kink spring with excellent bending characteristics
- moulded crimp contacts, therefore high electric strength and exclusion of short circuit
- completely tamper proof
- tested substantially by independent external examining institutes regarding life time, cold, warmth, vibration etc.

7-pins 24-volt Hytrel – Classic-Line

OEM market



- Hytrel electrical coil according to ISO 4141
- core ISO 6722
- core section: $6 \times 1,5^2 + 1 \times 2,5^2$
- excellent cold, heat and weathering resistance
- high oil and chemical resistance

max. working length approx. mm	coil Ø approx. mm	order number	
		ISO 1185 (N) blue plug	ISO 3731 (S) yellow plug
3.000	75	6.72900.230	6.72901.230
3.500	75	6.72900.235	6.72901.235
4.000	75	6.72900.240	6.72901.240
4.500	75	6.72900.245	6.72901.245
5.500	75	6.72900.255	6.72901.255

7-pins 24-volt PUR – Basic-Line

Aftersales market



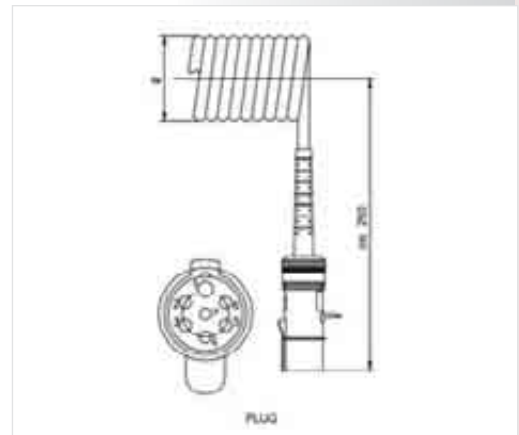
- PUR electrical coil according to ISO 4141
- core ISO 6722
- core section: $6 \times 1^2 + 1 \times 1,5^2$
- cold, heat and weathering resistance
- oil and chemical resistance

max. working length approx. mm	coil Ø approx. mm	order number	
		ISO 1185 (N) blue plug	ISO 3731 (S) yellow plug
3.000	48	6.72900.030	6.72901.030
3.500	48	6.72900.035	6.72901.035
4.000	48	6.72900.040	6.72901.040
4.500	48	6.72900.045	6.72901.045
5.500	48	6.72900.055	6.72901.055

7-pins 24-volt with plastic plugs – Classic-Line

- plastic plugs according to ISO 1185 and ISO 3731
- Hytrel electrical coil according to ISO 4141
- core ISO 6722
- core section: $6 \times 1,5^2 + 1 \times 2,5^2$
- excellent cold, heat and weathering resistance
- excellent bending characteristics and resetting forces
- high oil and chemical resistance

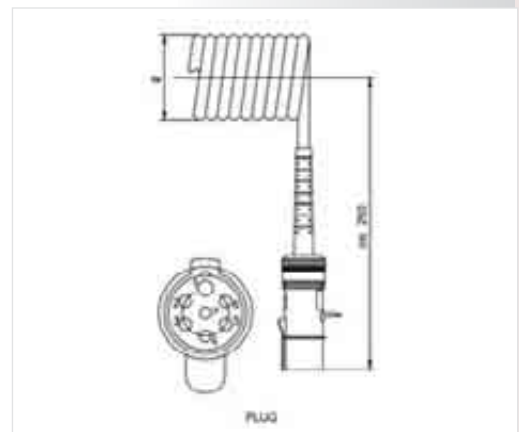
max. working length approx. mm	coil Ø approx. mm	order number	
		plastic plug	
		ISO 1185 (N)	ISO 3731 (S)
3.000	75	6.73000.230	6.73001.230
3.500	75	6.73000.235	6.73001.235
4.000	75	6.73000.240	6.73001.240
4.500	75	6.73000.245	6.73001.245
5.500	75	6.73000.255	6.73001.255



7-pins 24-volt with plastic plugs – Basic-Line

- plastic plugs according to ISO 1185 and ISO 3731
- PUR electrical coil in dependence on ISO 4141
- core ISO 6722
- core section: $6 \times 1^2 + 1 \times 1,5^2$
- cold, heat and weathering resistance
- good bending characteristics
- oil and chemical resistance

max. working length approx. mm	coil Ø approx. mm	order number	
		plastic plug	
		ISO 1185 (N)	ISO 3731 (S)
3.000	48	6.73000.030	6.73001.030
3.500	48	6.73000.035	6.73001.035
4.000	48	6.73000.040	6.73001.040
4.500	48	6.73000.045	6.73001.045
5.500	48	6.73000.055	6.73001.055

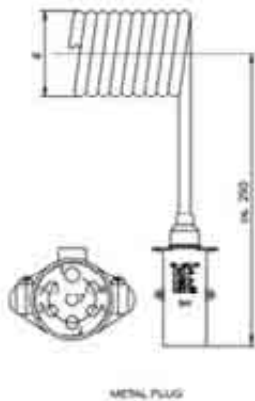


7-pins 24-volt with metal plug – Classic-Line

OEM market



- metal plugs according to ISO 1185 and ISO 3731
- Hytrel electrical coil according to ISO 4141
- core ISO 6722
- core section: $6 \times 1,5^2 + 1 \times 2,5^2$
- excellent cold, heat and weathering resistance
- excellent bending characteristics and resetting forces
- high oil and chemical resistance



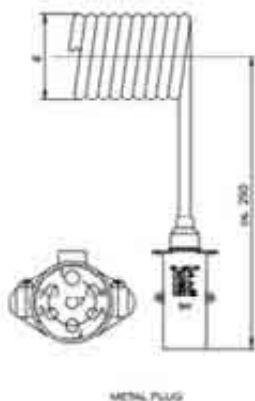
max. working length approx. mm	coil Ø approx. mm	order number	
		metal plug	
		ISO 1185 (N)	ISO 3731 (S)
3.000	75	6.78800.230	6.78801.230
3.500	75	6.78800.235	6.78801.235
4.000	75	6.78800.240	6.78801.240
4.500	75	6.78800.245	6.78801.245
5.500	75	6.78800.255	6.78801.255

7-pins 24-volt with metal plug – Basic-Line

Aftersales
market



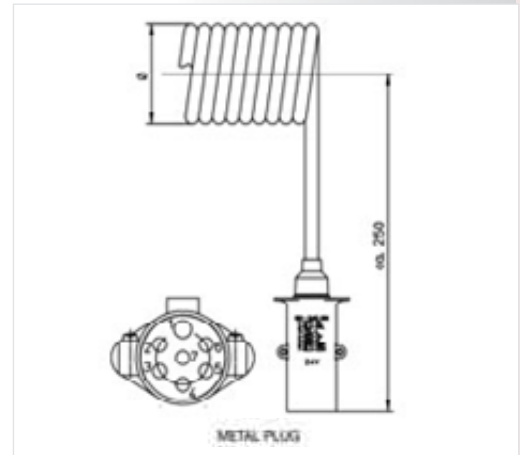
- metal plugs according to ISO 1185 and ISO 3731
- PUR electrical coil in dependence on ISO 4141
- core ISO 6722
- core section: $6 \times 1^2 + 1 \times 1,5^2$
- cold, heat and weathering resistance
- good bending characteristics
- oil and chemical resistance



max. working length approx. mm	coil Ø approx. mm	order number	
		metal plug	
		ISO 1185 (N)	ISO 3731 (S)
3.000	48	6.78800.030	6.78801.030
3.500	48	6.78800.035	6.78801.035
4.000	48	6.78800.040	6.78801.040
4.500	48	6.78800.045	6.78801.045
5.500	48	6.78800.055	6.78801.055

7-pins 24-volt with metal plug – Basic-Line

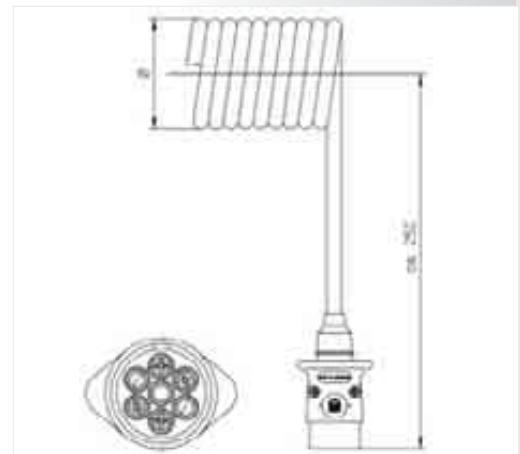
- metal plugs according to ISO 1185 and ISO 3731
- PUR electrical coil in dependence on ISO 4141
- core ISO 6722
- core section: $6 \times 1^2 + 1 \times 1,5^2$
- cold, heat and weathering resistance
- good bending characteristics
- oil and chemical resistance



max. working length approx. mm	coil Ø approx. mm	order number			
		metal plug		plastic plug	
		ISO 1724 (N)	ISO 3732 (S)	ISO 1724 (N)	ISO 3732 (S)
3.000	48	6.78820.030	6.78821.030	with metal anti kink spring	
3.500	48	6.78820.035	6.78821.035	with metal anti kink spring	
4.000	48	6.78820.040	6.78821.040	with metal anti kink spring	
4.500	48	6.78820.045	6.78821.045	with metal anti kink spring	
5.500	48	6.78820.055	6.78821.055	with metal anti kink spring	
7.000	48	6.78820.070	6.78821.070	with metal anti kink spring	

7-pins 12-volt PUR – Basic-Line

- metal plugs according to ISO 1724 and ISO 3732
- high quality PUR spiral coil
- core ISO 6722
- core section: $6 \times 1^2 + 1 \times 1,5^2$



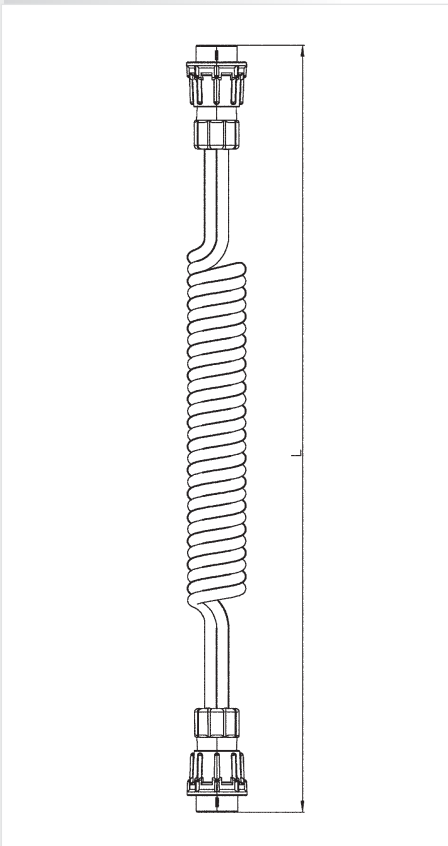
max. working length approx. mm	coil Ø approx. mm	order number			
		metal plug		plastic plug	
		ISO 1724 (N)	ISO 3732 (S)	ISO 1724 (N)	ISO 3732 (S)
3.000	48	6.77400.030	6.77401.030	6.99800.030	6.99801.030
3.500	48	6.77400.035	6.77401.035	6.99800.035	6.99801.035
4.000	48	6.77400.040	6.77401.040	6.99800.040	6.99801.040
4.500	48	6.77400.045	6.77401.045	6.99800.045	6.99801.045

2-pins 24-volt PUR



- metal plug according to VG 96917
- PUR electrical coil, 1x black and 1x red coil
- core ISO 6722
- core section, see chart
- cold, heat and weathering resistance
- excellent resetting forces
- oil and chemical resistance

cable position	max. working length approx. mm	coil Ø approx. mm	core section mm ²	order number
twined	4.000	55	2x 35 ²	6.00945.624 no coupler
twined	6.000	55	2x 35 ²	6.00945.626 no coupler




indication of parts and pages

an easy way to find our products in this catalogue

Part	Page
6.00945.624	16
6.00945.626	16
6.00946.001	9
6.00946.002	9
6.72900.030	12
6.72900.035	12
6.72900.040	12
6.72900.045	12
6.72900.055	12
6.72900.230	12
6.72900.235	12
6.72900.240	12
6.72900.245	12
6.72900.255	12
6.72901.030	12
6.72901.035	12
6.72901.040	12
6.72901.045	12
6.72901.055	12
6.72901.230	12
6.72901.235	12
6.72901.240	12
6.72901.245	12
6.72901.255	12
6.73000.030	13
6.73000.035	13
6.73000.040	13
6.73000.045	13
6.73000.055	13
6.73000.230	13
6.73000.235	13
6.73000.240	13
6.73000.245	13
6.73000.255	13
6.73001.030	13
6.73001.035	13
6.73001.040	13
6.73001.045	13
6.73001.055	13
6.73001.230	13
6.73001.235	13
6.73001.240	13
6.73001.245	13
6.73001.255	13
6.77400.030	15
6.77400.035	15
6.77400.040	15
6.77400.045	15
6.77401.030	15
6.77401.035	15

Part	Page
6.77401.040	15
6.77401.045	15
6.77800.230	6
6.77800.235	6
6.77800.240	6
6.77800.245	6
6.78800.030	14
6.78800.035	14
6.78800.040	14
6.78800.045	14
6.78800.055	14
6.78800.230	14
6.78800.235	14
6.78800.240	14
6.78800.245	14
6.78800.255	14
6.78801.030	15
6.78801.035	15
6.78801.040	15
6.78801.045	15
6.78801.055	15
6.78801.230	14
6.78801.235	14
6.78801.240	14
6.78801.245	14
6.78801.255	14
6.78820.030	15
6.78820.035	15
6.78820.040	15
6.78820.045	15
6.78820.055	15
6.78820.070	15
6.78821.030	15
6.78821.035	15
6.78821.040	15
6.78821.045	15
6.78821.055	15
6.78821.070	15
6.79800.230	6
6.79800.235	6
6.79800.240	6
6.79800.245	6
6.83301.030	11
6.83301.035	11
6.83301.040	11
6.83301.045	11
6.83301.055	11
6.83301.230	11
6.83301.235	11
6.83301.240	11

Part	Page
6.83301.245	11
6.83301.255	11
6.84801.030	10
6.84801.035	10
6.84801.040	10
6.84801.045	10
6.84801.055	10
6.84801.230	10
6.84801.235	10
6.84801.240	10
6.84801.245	10
6.84801.255	10
6.85301.030	7
6.85301.035	7
6.85301.040	7
6.85301.045	7
6.85301.055	7
6.85301.230	7
6.85301.235	7
6.85301.240	7
6.85301.245	7
6.85301.255	7
6.85401.035	8
6.85401.045	8
6.85729.030	4
6.85729.035	4
6.85729.040	4
6.85729.045	4
6.85729.055	4
6.85729.230	5
6.85729.235	5
6.85729.240	5
6.85729.245	5
6.85729.255	5
6.85729.335	4
6.85729.345	4
6.85729.735	4
6.85729.745	4
6.85788.035	5
6.85788.045	5
6.99800.030	15
6.99800.035	15
6.99800.040	15
6.99800.045	15
6.99801.030	15
6.99801.035	15
6.99801.040	15
6.99801.045	15

	Electrical coil program
	12 Volt program
	24 Volt program
	Extra program
	Military program
	Air brake coil program

presented by